



## Duct suspension clamps with rubber type OBMC

Galvanized duct suspension clamps with rubber inlay  
Diameter range from 80 mm up to 1000 mm

### Application

- Used for suspension of circular ducts
- Clamps **OBMC** are especially designed for vibration attenuation
- Dia 80 up to 400 mm with screw M6 on either side, 1-point suspension with M8/M10 nut on top
- Dia 450 up to 1000 mm with 2-point suspension with M10 hole on either side

### Composition

- Made of hot dipped sendzimir zinc plated steel
- Maximum suspended weight: 500 kg
- Width is 20 mm for Dia 80 - 400 mm and 25 mm above Dia 400 mm
- Thickness is 1.8 mm under Dia 400 mm and 2.3 mm above Dia 400 mm
- Rubber inlay:
  - Working temperature:  
-40°C + 120°C
  - Material hardness: HS 60° +/-3°

### Accessories

- Threaded rods **type THA** (not included)

### Other available products

- Suspension clamps without rubber inlay **type OBDC**

### Order example

- **OBMC, 250**

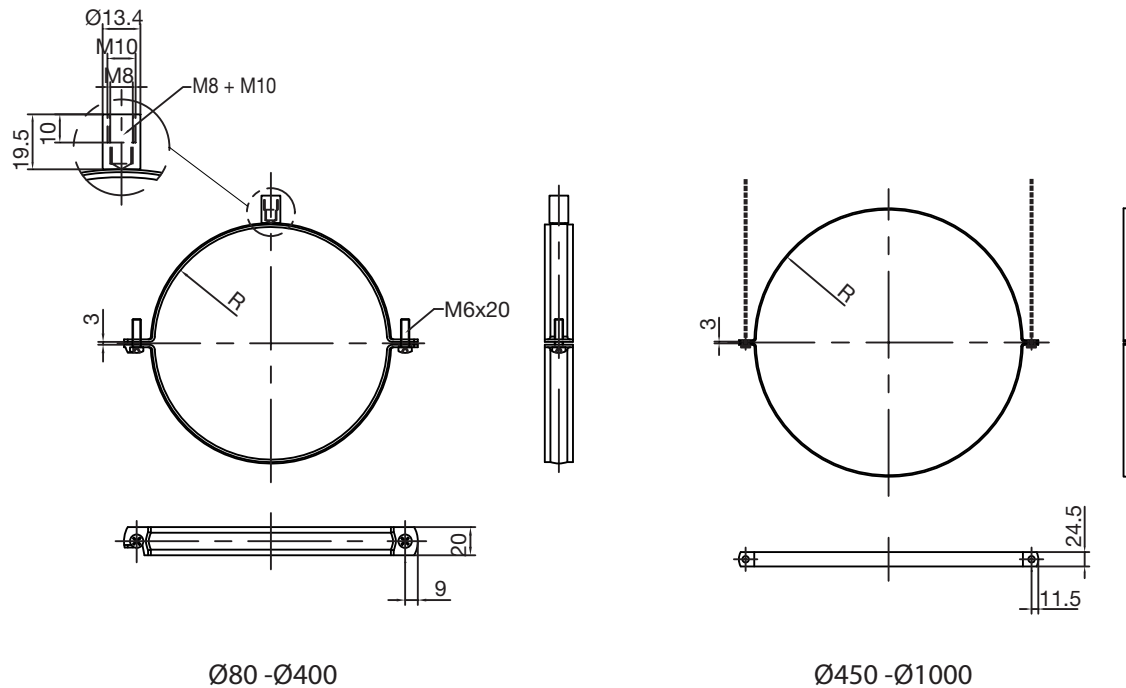
Explanation :

**OBMC** = Clamp type

**250** = Diameter of clamp

**Text for tender**

- The circular ducts shall be suspended by means of sendzimir zinc plated steel clamps with rubber inlay. They shall tolerate a maximum suspended weight of 500 kg. The ducts shall be suspended on two points by means of threaded rods on either side of the clamp
- ATC **type OBMC**


**Dimensions**

OBMC	R
80	42,5±0,3
100	52,5±0,3
125	65,0±0,4
150	77,5±0,4
160	82,5±0,4
180	92,5±0,4
200	102,5±0,4
225	115,0±0,4
250	127,5±0,4
280	142,5±0,4
300	152,5±0,4
315	160,0±0,4
355	180,0±0,4
400	202,5±0,8
450	227,5±0,8
500	252,5±0,8
560	282,5±0,8
630	317,5±0,8
710	357,5±0,8
800	402,5±0,8
900	452,5±0,8
1000	502,5±0,8